

# SHOO

## LED WALL PACK

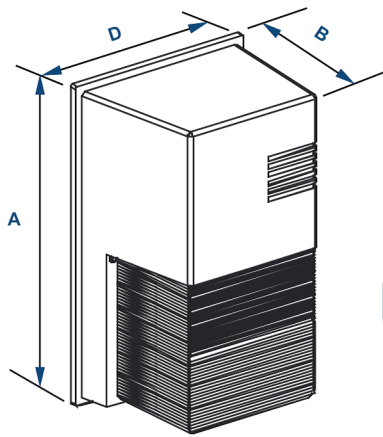


**Robust Construction:**  
Features a durable die-cast aluminum housing with an aluminum reflector, bronze UV-stabilized polycarbonate front housing, and a clear prismatic lens for enhanced light distribution and durability.

**Certified for Various Applications:**  
BAA Compliant, ETL listed for wet locations (ANSI/UL 1598, 8750) with an IP65 sealed LED compartment, ensuring suitability for outdoor and damp environments.

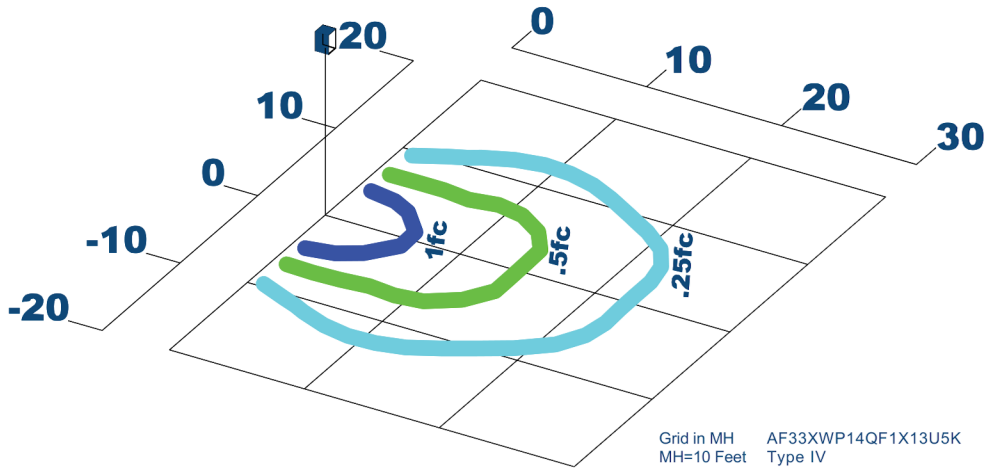
**Efficient HID Replacement:**  
The SHOO replaces up to 70w HID systems, providing widespread light distribution. Ideal for 8 to 15 feet mounting heights.

### PRODUCT DIMENSIONS



Dimensions	
Width (D)	6 3/4" (172mm)
Length (B)	5 1/4" (133mm)
Height (A)	11" (280mm)

### PHOTOMETRIC DATA



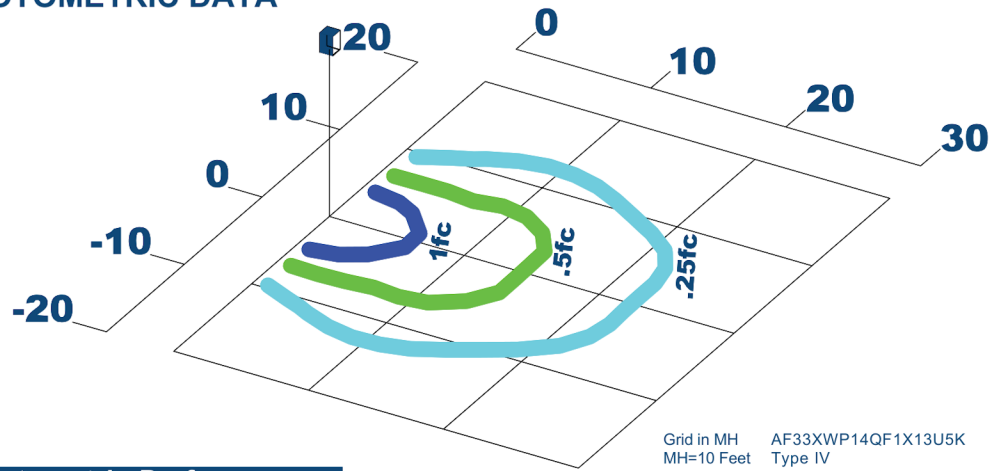
- **Housing**
  - Material: Die Cast Aluminum Back Plate
  - Finish: Bronze UV-Stabilized Polycarbonate Front Housing
  - Design: Cast-in Template for Mounting Over an Electrical Box
  - Conduit Access: Provided on the Bottom
  - Lens: Molded Prismatic UV-Stabilized Polycarbonate
- **Array and System**
  - LED Array Wattage: 12.5 watts
  - System Wattage: 14 watts
  - HID Equivalent: Designed to replace
- **Driver**
  - Type: Electronic Driver
  - Voltage: 120-277V, 50/60Hz
  - Total Harmonic Distortion (THD): Less than 20%
  - Power Factor (PF): Greater than 0.90
  - Surge Protection: Standard Internal Surge Protection (2kV)
  - Dimming: Standard 0-10V dimming with a dimming range of 100% to 10%. Dimming source current is 150 microamps 70w HID systems
- **Controls:**
  - Factory-Installed Controls: Available with Photocell or Motion Sensor
  - Internal Wiring: For switching and/or 1-10V dimming within the housing
  - Compatibility: Fixtures tested with vendor controls; may not function properly with other controls
  - Line Voltage Dimmers: Not designed for use with line voltage dimmers
  - Remote Dimming Interface: Not implied and may not be available; consultation with the factory recommended
- **Mounting Options:**
  - Direct Mounting: Over a 4" recessed outlet box
  - Surface CoMounting Heights: Suitable for heights of 8 to 15 feet based on light level and uniformity requirements conduit: Use ½" surface conduit
- **EasyLED LED:**
  - Material: Aluminum Boards
- **Lens:**
  - Material: Molded Prismatic UV-Stabilized Polycarbonate
- **Finish:**
  - Material: Die Cast Aluminum Back Plate
- **Listing & Ratings:**
  - Safety Listings: ETL Listed for Wet Locations, ANSI/UL 1598, 8750
  - Ingress Protection: IP65 Sealed LED Compartment



## Warranty:

- Duration: 5-Year Warranty
- Temperature Range: -40°C to +40°C
- Additional Information: Projected lumen maintenance table available below

## PHOTOMETRIC DATA



## Photometric Performance

LED Board Watts	Drive Current (mA)	Input Watts	Optics	5000 CCT 80 CRI					3000 CCT 80 CRI				
				Lumens	LPW	B	U	G	Lumens	LPW	B	U	G
EasyLED 13w	116	14	Type IV	1,054	71	0	3	2	933	67	0	3	2

## Projected Lumen Maintenance

Data shown for 5000 CCT		Compare to MH				
TM-21-11	Input Watts	Initial	25,000 Hrs	50,000 Hrs	100,000 Hrs	Calculated LED Life
L70 Lumen Maintenance @ 25°C / 77°F	14	1.00	0.95	0.91	0.82	165,000
L70 Lumen Maintenance @ 50°C / 122°F		1.00	0.92	0.84	0.69	96,000
L80 Lumen Maintenance @ 40°C / 104°F		1.00	0.93	0.86	0.73	74,000

### NOTES:

1. Projected per IESNA TM-21-11. Data references the extrapolated performance projections for the base model in a 25°C ambient, based on 10,000 hours of LED testing per IESNA LM-80-08.
2. Compare to MH box indicates suggested Light Loss Factor (LLF) to be used when comparing to Metal Halide (MH) systems.

