

! FAILURE TO COMPLETELY SEAL FIXTURE WILL VOID PRODUCT WARRANTY

WALL PACK MOUNTING GUIDE

****DISCLAIMER:** *The manufacturer takes no responsibility for the product not installed under those guidelines and those contained in this document.*

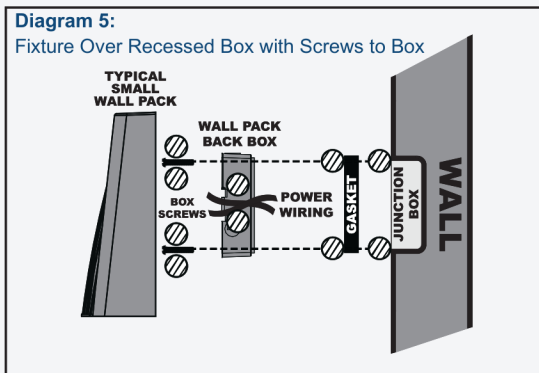
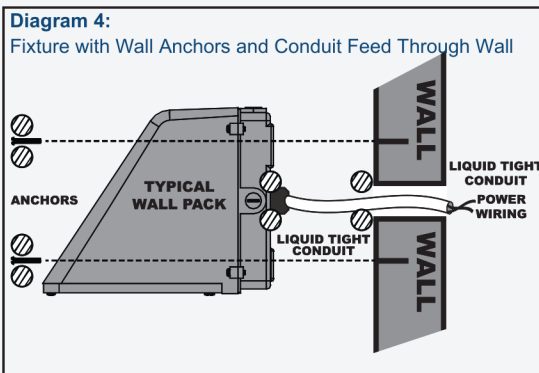
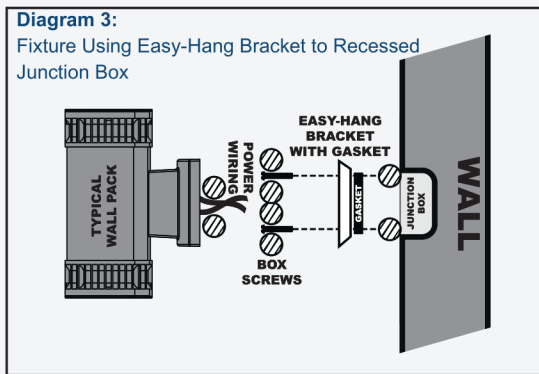
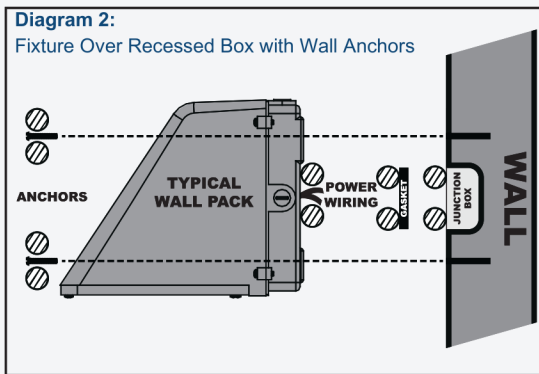
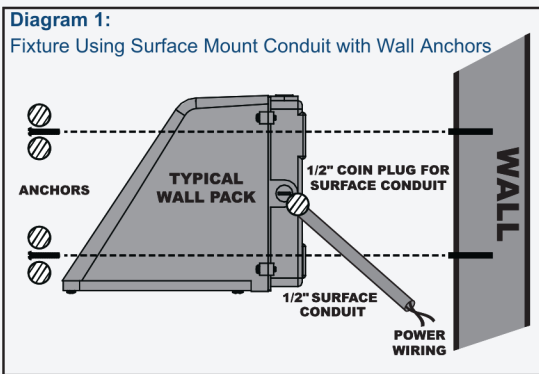
This fixture must be wired and installed in accordance with the **NATIONAL ELECTRICAL CODE** and all state and applicable local codes and ordinances. These codes and ordinances supersede any and all guidance contained herein. Installation should be performed only by a licensed and bonded electrician.

WATERPROOF SILICONE SEALANT REQUIRED!

For proper weatherproof function, all gaskets must be seated properly, and all screws inserted and tightened firmly. Installer **MUST** apply weatherproof silicone sealant (NOT included) at ALL potential water entry points to meet the NEC Code requirement for a sealed waterproof raceway system. This is especially important for uneven wall surfaces.

SEAL ALL POTENTIAL WATER ENTRY POINTS:

- Perimeter of fixture housing at wall
- Surfaces between fixture and gaskets
- Surfaces between gaskets/fixtures and recessed junction boxes
- Surfaces between fixture mounting plates and wall
- Threaded couplings installed into housing
- Wiring entrance points
- Mounting holes and mounting hardware
- Any unused mounting holes
- Any opened and reinstalled coin plugs



INDICATES SEALANT LOCATIONS



WATERPROOF SILICONE SEALANT REQUIRED!

