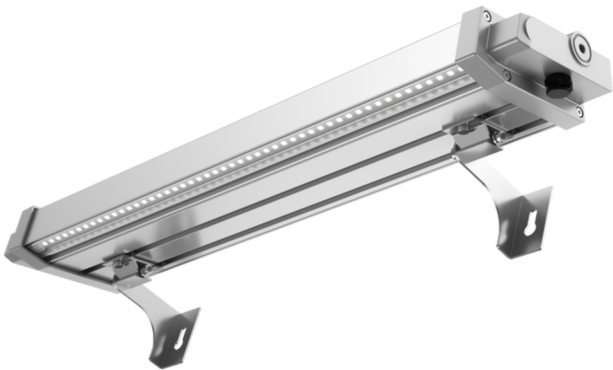


BILI

LED SOLAR SIGN LIGHT



Versatile Illumination:

With the solar panel on top, LEDs on the bottom, and a low-profile linear design, BILI is designed to emit the light down or down and out reducing uplight. Use the advanced rotatable mount to pivot BILI directing the light onto the sign for superb sign illumination.

Sustainable Illumination:

With a mono-crystalline photovoltaic solar panel on top and a long-life LiFeP04 battery, BILI sign lights provide sustainable and reliable off-grid illumination, reducing your facility's carbon footprint. Just 4 hours of charging each day ensures uninterrupted nighttime off-grid illumination.

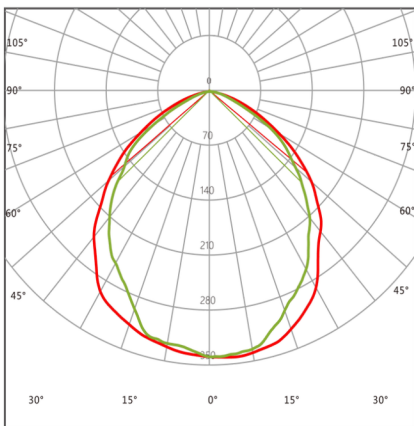
Durable Illumination:

BILI features an aluminum alloy body, a long-life LiFeP04 battery designed for 3,000 to 5,000 DOD cycles, LEDs with an L70 rating of 270,000 hours, an IP66 rated water resistance against powerful jet water sprays ensuring EXTREME-LIFE and consistent lighting quality throughout the fixture's lifespan.

PRODUCT DESCRIPTION

The BILI is a solar-powered sign light designed to be mounted at the top of signs, reducing uplight and light pollution. With no need for external power, BILI efficiently illuminates entrance signs, wall-mounted signs, post-mounted signs, or billboards without costly electric bills. It comes with a standard bracket mount for easy attachment, allowing you to bolt it to the top of the sign and tilt it to direct the LED light exactly where it's needed.

OPTIC



AF-F00C66 (100)



ELECTRICAL INFORMATION

MODEL NO.	AF59XFL65-005	AF59XFL65-010
POWER CONSUMPTION (W)	5w	10w
BATTERY	LIFEP04	
BATTERY CAPACITY	23.04	51.84
SOLAR PANEL	Mono-crystalline	
SOLAR PANEL WATTAGE (W)	7.5	15
CHARGING TIME (HOURS)	3.6	4
OPERATING TIME	Intelligent mode = 1 day	
SOLAR CHARGE CONTROLLER	Pulse Width Modulation (PMW)	

* The tolerance for power is $\pm 5\%$.

OPTIC INFORMATION

LED TYPE	LED 2835	
LUMINOUS FLUX ($\pm 10\%$)	up to 850	up to 1,700
EFFICACY (4000K RA70)	up to 170	
CCT	3000K, 4000K, 5000K	
COLOR RENDERING INDEX	Ra70	
BEAM ANGLE	F00165+ F00C66	
UGR LEVEL	NA	

* The tolerance for luminous flux is $\pm 10\%$

DIMENSIONS AND MOUNT

PRODUCT DIMENSIONS	23.50" x 5.00" x 2.09"	41.85" x 5.00" x 2.09"
LUMINAIRE NET WEIGHT (KG)	2.0	3.4
EXPORT CARTON SIZE	26.18" x 6.69" x 7.48"	44.49" x 6.69" x 7.48"
GROSS WEIGHT (KG)	2.5	4.1
MOUNTING OPTION	Moveable Mounting Option	
MATERIAL	Aluminum Alloy, Polycarbonate Lens	
FINISH	Powder coating	
FIXTURE COLOR	Silver (RAL9006)	
EPA	0.08	0.13
IK RATING	N/A	
IP RATING	IP66	
CATEGORY OF CORROSION	C3 (ISO 9223:2012)	

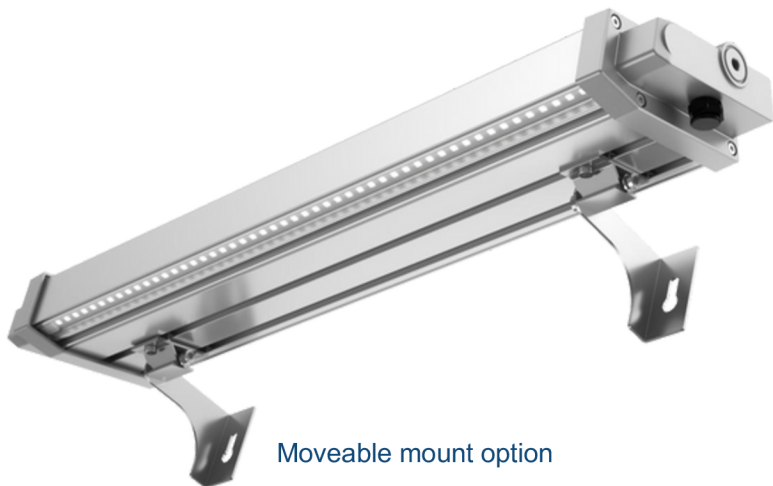
* The tolerance for weight is $\pm 6\%$.

LIFESPAN AND WARRANTY

OPERATING TEMPERATURE	0°C to + 50°C(-22°F to 122°F)
LIFE TIME OF LED @TA=25°C	L80@80,000hrs
	L70@270,000
WARRANTY	Battery : 3-years Other accessories : 5-years



MOUNTING OPTION





Moveable mount option

ACCESORIES



Remote control
code: AF59X-HY-002

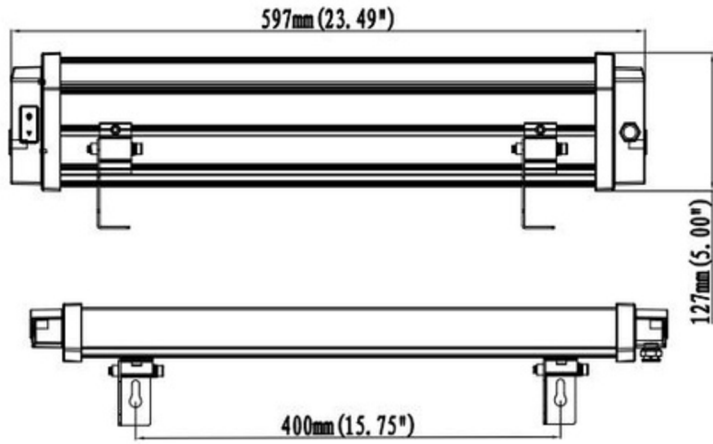
DEFAULT WORKING MODE:

Time	Dusk 							Dawn 				
	1H	2H	3H	4H	5H	6H	7H	8H	9H	10H	11H	- - -
Brightness	100%	70%			50%		20%					

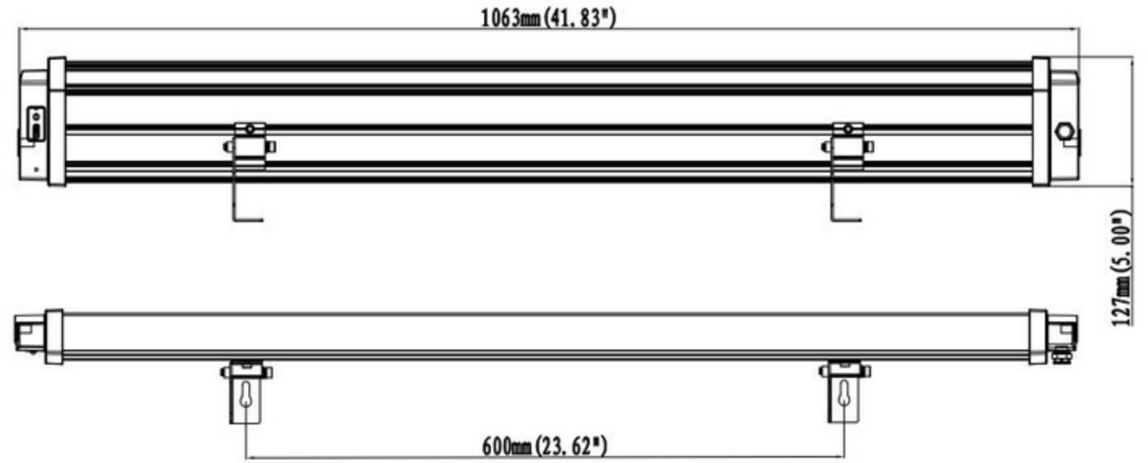
100% brightness at first hour; 70% from 2nd to 4th hour; 50% from 5th to 6th hour; 20% from 7th hour to Dawn or till the light turns off.

Note: the working hours depend on the local weather and Sunshine.

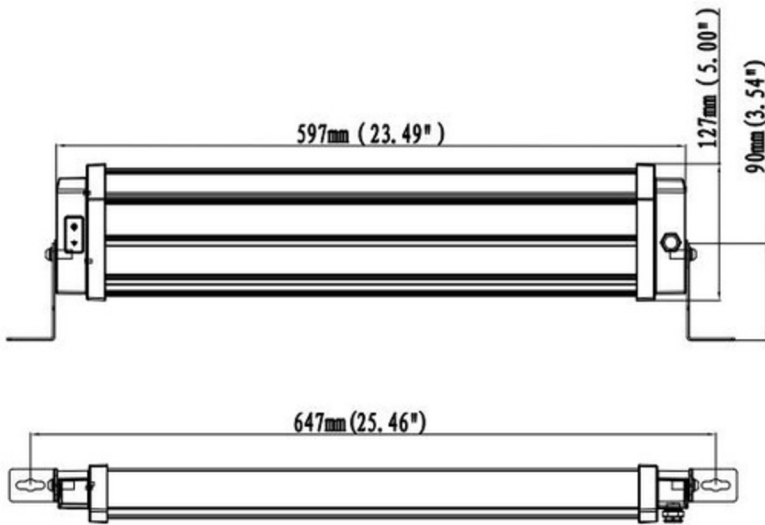
DIMENSIONS



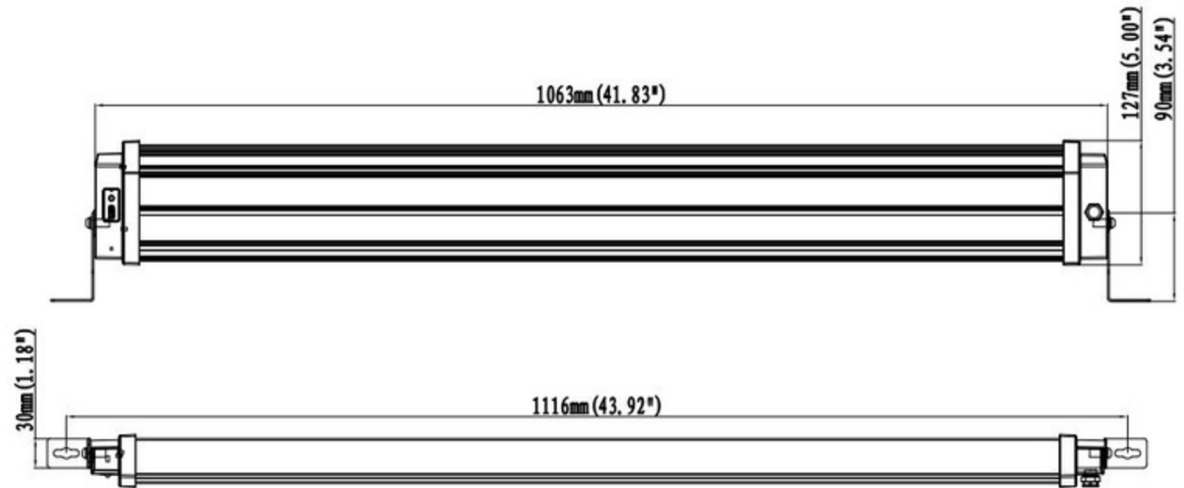
5W



10W



5W



10W

