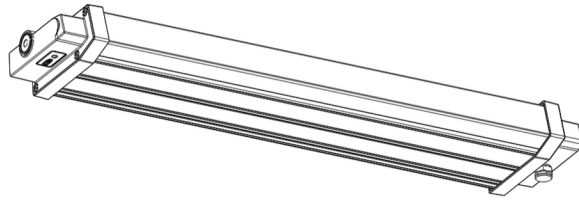


## LED Wall Pack and Sign Light

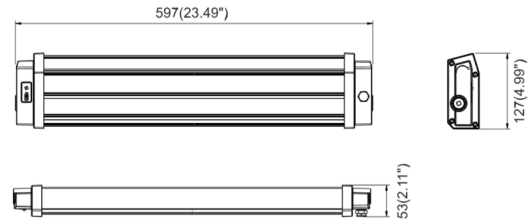
### Installation Instructions

**Reminder**  
We appreciate your purchase!  
Please read the entire instruction manual before installation and keep it for future reference.

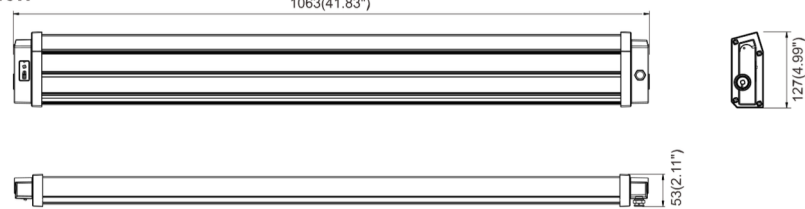


### Physical Dimensions (Unit: mm/inch)

5W



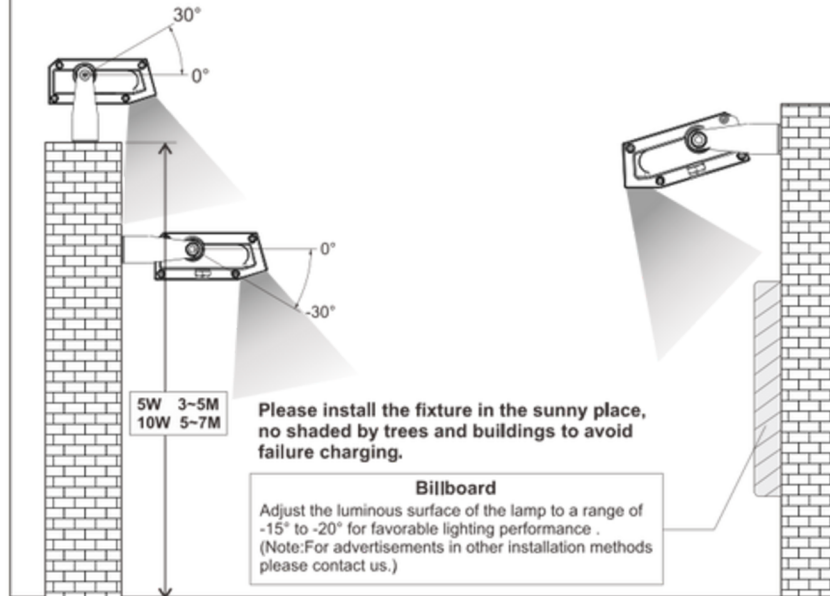
10W



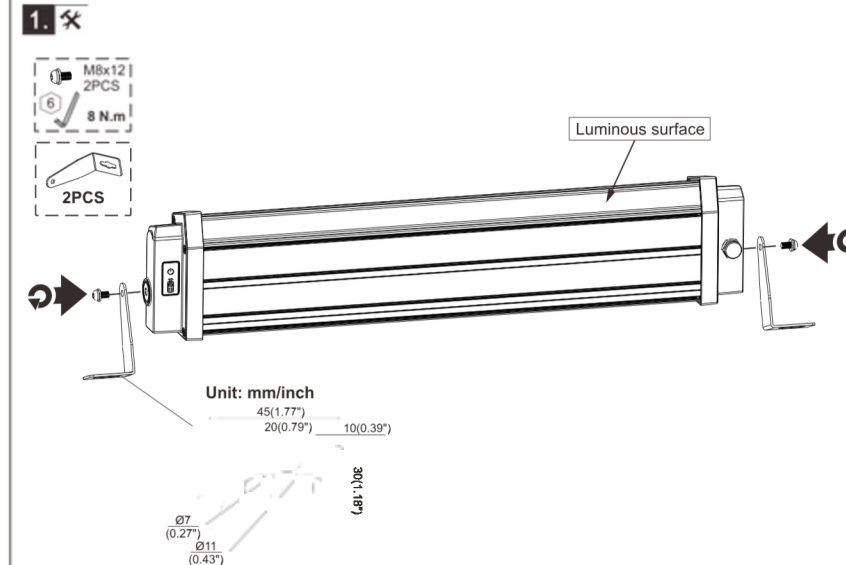
Product Specifications	5W	10W
Outlook Dimensions	597x127x53mm(23.49"x4.99"x2.11")	1063x127x53mm(41.83"x4.99"x2.11")
Luminaire Net Weight(±6%)	2kg(4.41Lbs)	3.4kg(7.50Lbs)
Projected Area	0.08m <sup>2</sup> (0.97ft <sup>2</sup> )	0.13m <sup>2</sup> (1.74ft <sup>2</sup> )
Working Temperature	0°C to +50°C(32°F to +122°F)	

1

### Installation Suggestions



### Rotatable Mounting Bracket (optional)

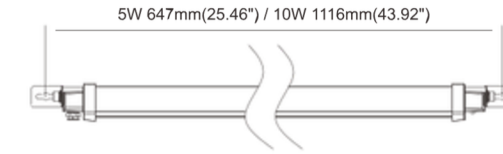


2

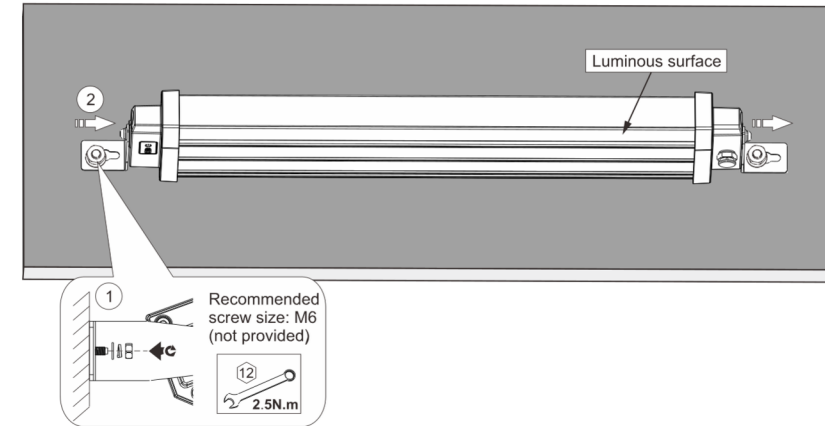


**FAILURE TO COMPLETELY COMPLY TO THESE INSTRUCTIONS WILL VOID PRODUCT WARRANTY**

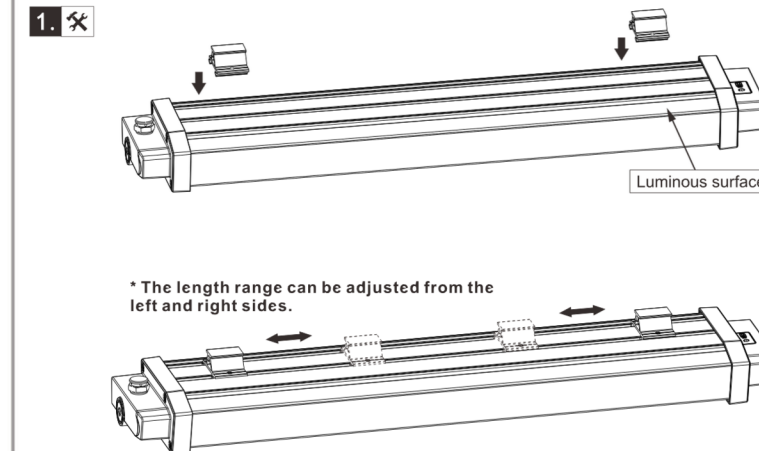
### 2. ✖



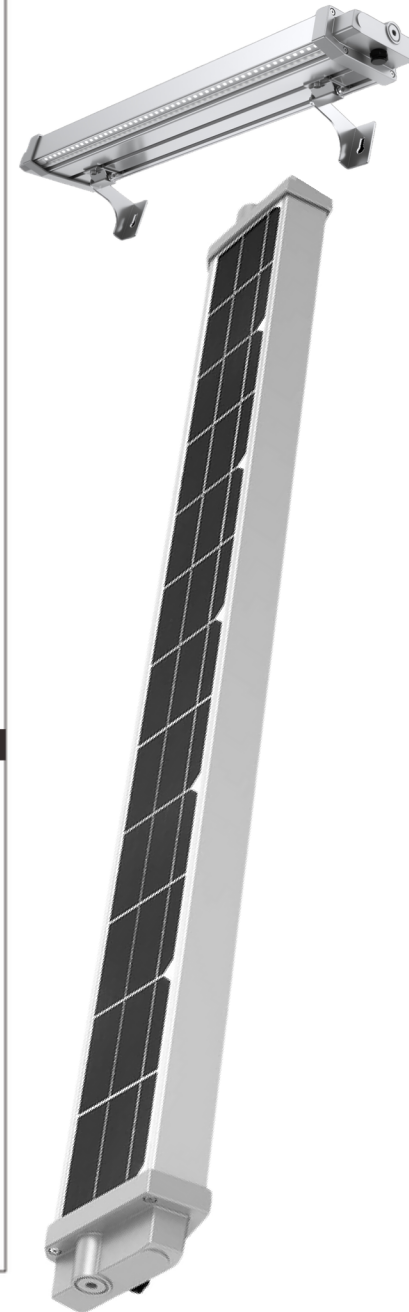
\* Reminder: The solar panel cannot be covered

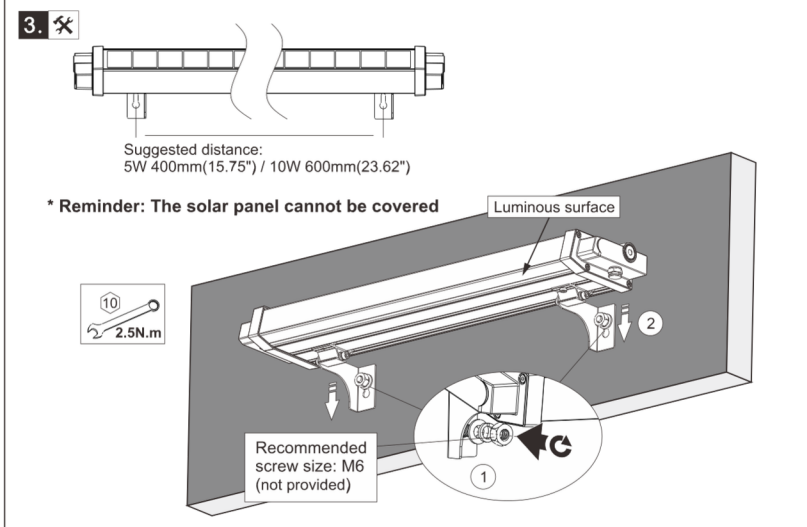
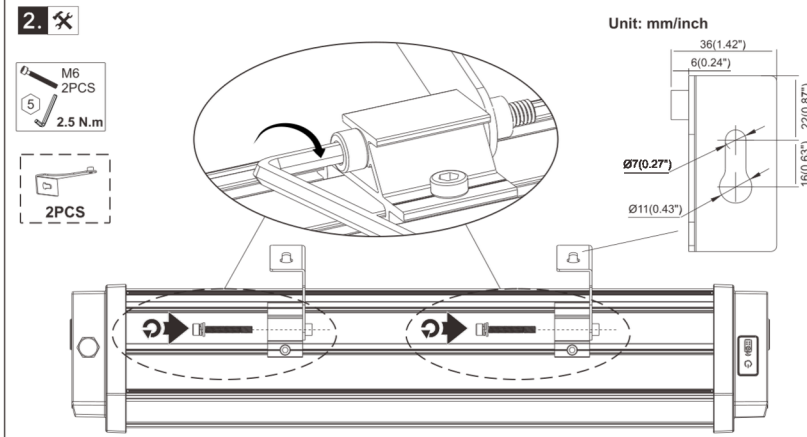
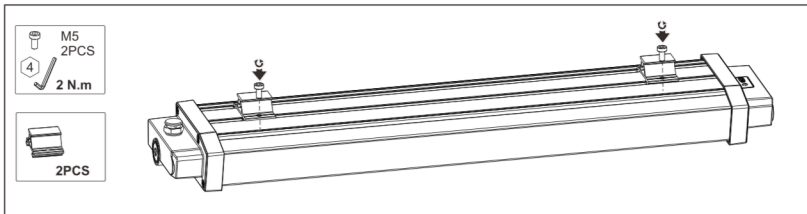


### Movable Mounting Bracket (optional)



3

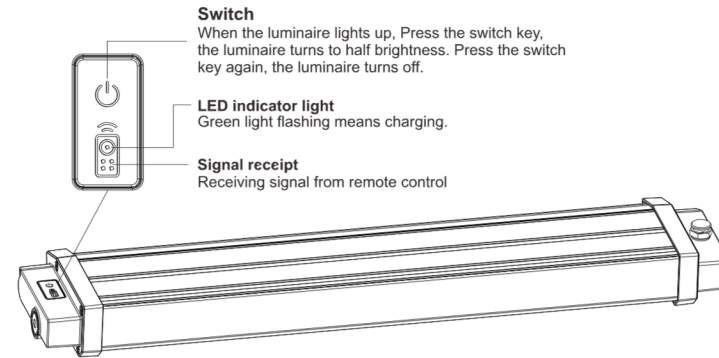




4

### Default Working Mode:

\* After the luminaire is installed, you need to manually press the switch on luminaire to activate the fixture.



Time	Dusk						Dawn				
	1H	2H	3H	4H	5H	6H	7H	8H	9H	10H	11H
Brightness	100%	70%			50%		20%				

100% brightness at first hour;  
70% from 2nd to 4th hour;  
50% from 5th to 6th hour;  
20% from 7th hour to dawn or till the light turns off.

Note: the working hours depend on the local weather and sunshine.

### Remote Control Operation:



Max. 10m



You can also activate the luminaire by pressing the ECO/AUTO key on remote control.

\* Point the remote control at the fixture

5

### Blank Key

#### ON

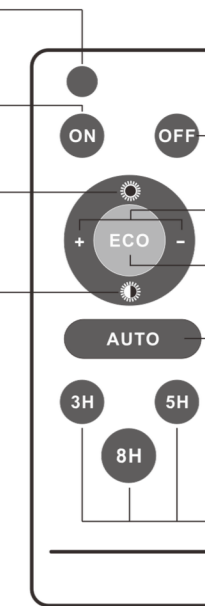
Turn on the luminaire compulsorily even in the sufficient light conditions. It will automatically switches to ECO/AUTO mode when the battery power are used out.



Press the key to get back to the default working mode.



Press the key to get in half brightness mode like below table, working hours prolong 2 times. It is mainly used when there is insufficient sunshine or you want longer working hours.



#### OFF

Turn off the luminaire compulsorily, including the daylight detection function, mainly used during transportation.

Change the brightness by 25% per adjustment. (No memory function, only valid within the adjusted day, it turns to default working mode in 2nd day.)

#### ECO/AUTO

Reset key/Activate key.



Working hours key: 3H, 5H or 8H. No matter which key you choose, the brightness gets the same changes with default working mode. For example, when you choose 3H: 100% brightness at the first hour; 70% brightness from 2nd to 3rd hour till the light turns off.

### Half brightness working mode:

Time	Dusk						Dawn				
	1H	2H	3H	4H	5H	6H	7H	8H	9H	10H	11H
Brightness	50%	35%			25%		10%				

#### Remark:

- The luminaire will flash once when you press any key on the remote control, which means the function is activated.
- Don't press the AUTO/ECO/ON key once the brightness or working hours has been set, or you have to reset it.
- The luminaire gets in standby mode automatically after it works for 3-5 cloudy and rainy days, it keeps at slight brightness but not light off. The remote control is not workable in standby mode.

#### Applications

- The product is designed for park walls, fences, bus stops, glass overpasses, wall billboards and similar applications. For other special applications, please consult your salesperson to confirm firstly.
- Too much dust or oil accumulation on PC lens will affect the lighting distribution and led chips performance, so cleaning the luminaire regularly to ensure longer lifespan is suggested.
- The suggested mounting height of the luminaire is 3-7 m.

6

