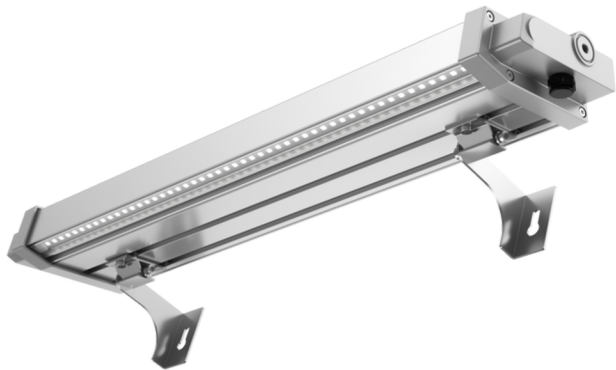


WULI

LED SOLAR WALL PACK LIGHTS



Versatile Illumination:

With the solar panel on top, LEDs on the bottom, and a low-profile linear design, WULI is designed to emit light down or down and out, reducing uplight. Use the advanced rotatable mount to pivot WULI, directing the light forward for egress or security, towards the wall for wall washing or sign illumination, or straight down for both.

Sustainable Illumination:

With a mono-crystalline photovoltaic solar panel on top and a long-life LiFeP04 battery, the WULI wall pack light provides sustainable and reliable off-grid illumination, reducing your facility's carbon footprint. Just 4 hours of charging each day ensures uninterrupted nighttime off-grid illumination.

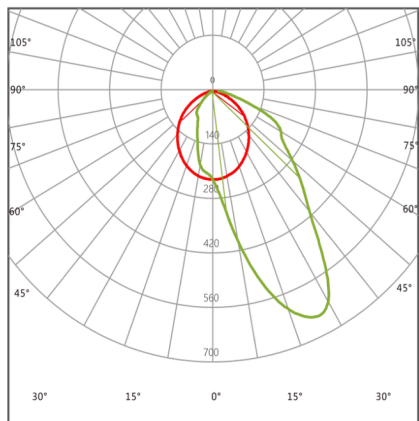
Durable Illumination:

WULI features an aluminum alloy body, a long-life LiFeP04 battery designed for 3,000 to 5,000 DOD cycles, LEDs with an L70 rating of 270,000 hours, an IP66 rated water resistance against powerful jet water sprays ensuring EXTREME-LIFE and consistent lighting quality throughout the fixture's lifespan.

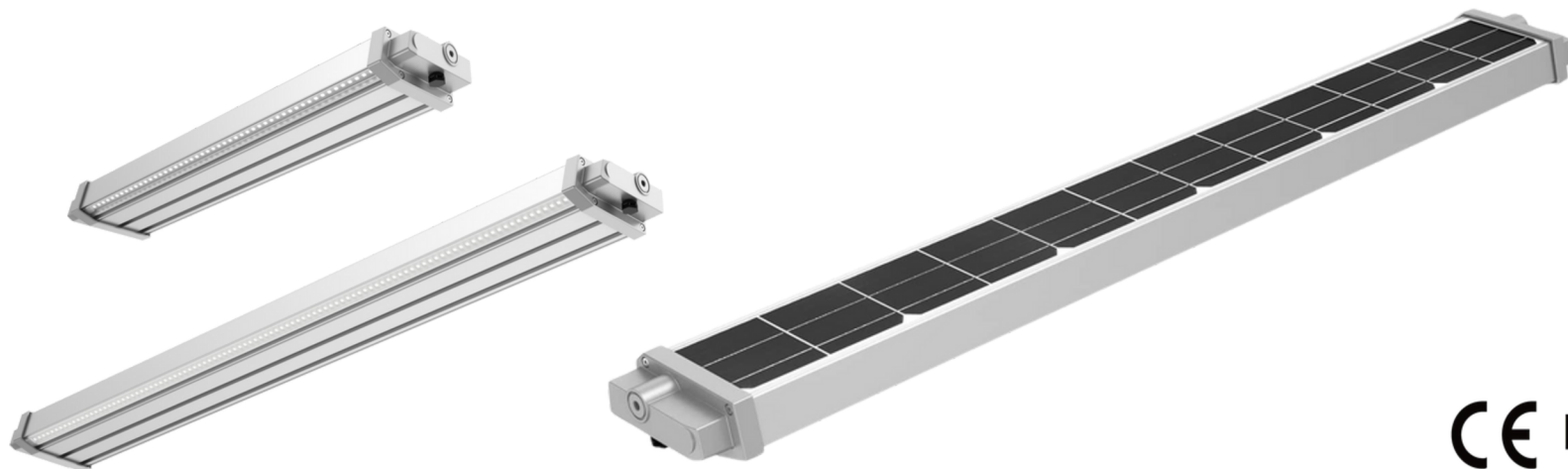
PRODUCT DESCRIPTION

WULI is the wall pack you have been waiting for. Install WULI where you want without the need to run power to the location of the wall pack. WULI operates with solar power and battery storage. Use WULI as a wall pack for egress and security or as a wall washer. Best of all, WULI comes standard with a bracket mount that easily attaches to a wall. Then tilt WULI in, straight down, or slightly out to direct the LED light where you need it.

OPTICS



AF-F00165+F00C66



ELECTRICAL INFORMATION

MODEL NO.	AF59XFL65-005	AF59XFL65-010
POWER CONSUMPTION (W)	5w	10w
BATTERY	LIFEP04	
BATTERY CAPACITY	23.04	51.84
SOLAR PANEL	Mono-crystalline	
SOLAR PANEL WATTAGE (W)	7.5	15
CHARGING TIME (HOURS)	3.6	4
OPERATING TIME	Intelligent mode = 1 day	
SOLAR CHARGE CONTROLLER	Pulse Width Modulation (PMW)	

* The tolerance for power is $\pm 5\%$.

OPTIC INFORMATION

LED TYPE	LED 2835	
LUMINOUS FLUX ($\pm 10\%$)	up to 850	up to 1,700
EFFICACY (4000K RA70)	up to 170	
CCT	3000K, 4000K, 5000K	
COLOR RENDERING INDEX	Ra70	
BEAM ANGLE	F00C66 (100%)	
UGR LEVEL	NA	

* The tolerance for luminous flux is $\pm 10\%$

DIMENSIONS AND MOUNT

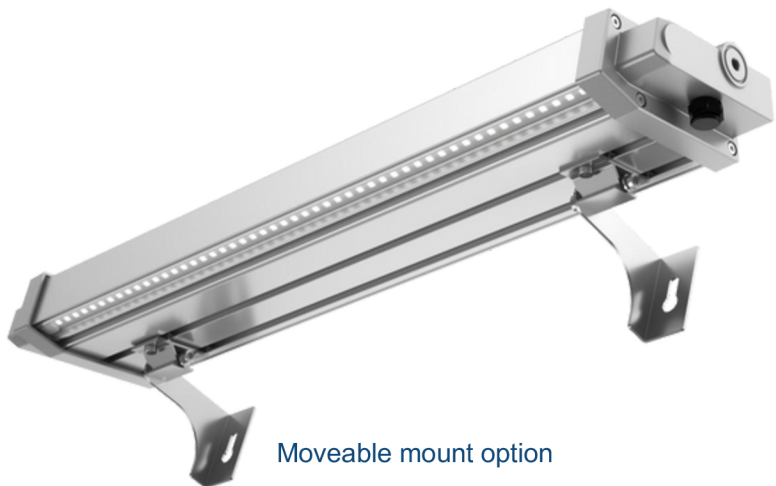
PRODUCT DIMENSIONS	23.50" x 5.00" x 2.09"	41.85" x 5.00" x 2.09"
LUMINAIRE NET WEIGHT (KG)	2.0	3.4
EXPORT CARTON SIZE	26.18" x 6.69" x 7.48"	44.49" x 6.69" x 7.48"
GROSS WEIGHT (KG)	2.5	4.1
MOUNTING OPTION	Moveable Mounting Option	
MATERIAL	Aluminum Alloy, Polycarbonate Lens	
FINISH	Powder coating	
FIXTURE COLOR	Silver (RAL9006)	
EPA	0.08	0.13
IK RATING	N/A	
IP RATING	IP66	
CATEGORY OF CORROSION	C3 (ISO 9223:2012)	

* The tolerance for weight is $\pm 6\%$.

LIFESPAN AND WARRANTY

OPERATING TEMPERATURE	0°C to + 50°C(-22°F to 122°F)
LIFE TIME OF LED @TA=25°C	L80@80,000hrs
	L70@270,000
WARRANTY	Battery : 3-years Other accessories : 5-years

MOUNTING OPTION





Moveable mount option

ACCESORIES



Remote control
code: AF59X-HY-002

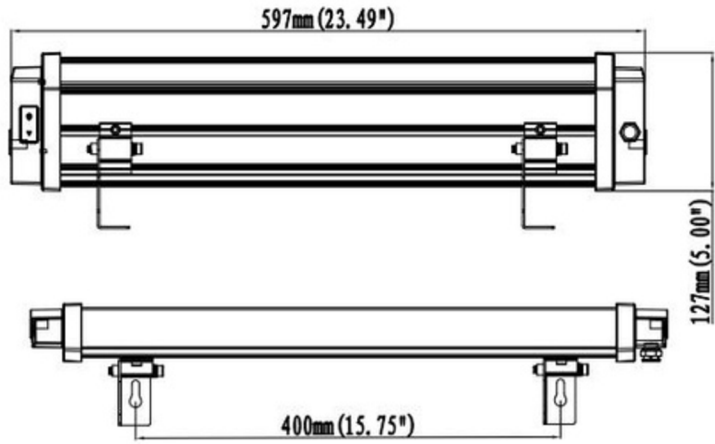
DEFAULT WORKING MODE:

Time	Dusk 							Dawn 				
	1H	2H	3H	4H	5H	6H	7H	8H	9H	10H	11H	- - -
Brightness	100%	70%			50%		20%					

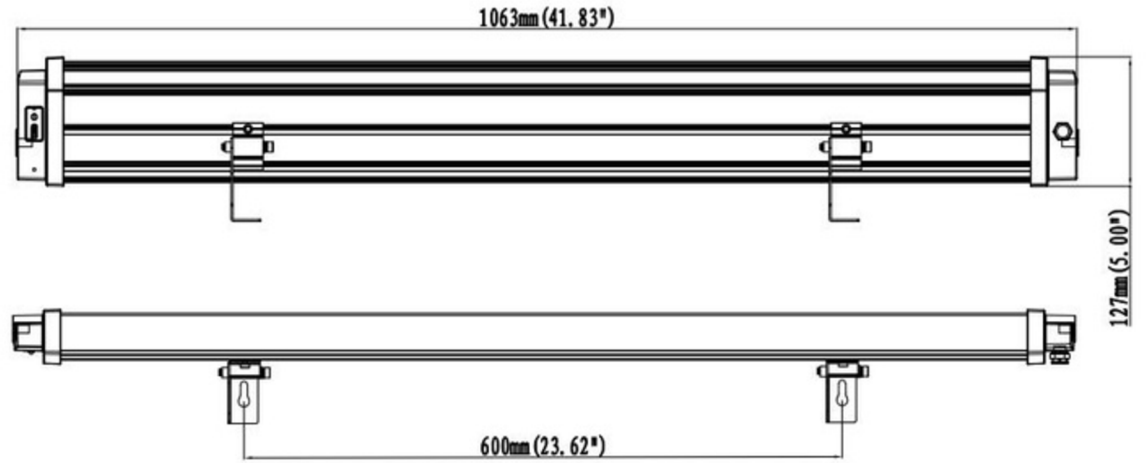
100% brightness at first hour; 70% from 2nd to 4th hour; 50% from 5th to 6th hour; 20% from 7th hour to Dawn or till the light turns off.

Note: the working hours depend on the local weather and Sunshine.

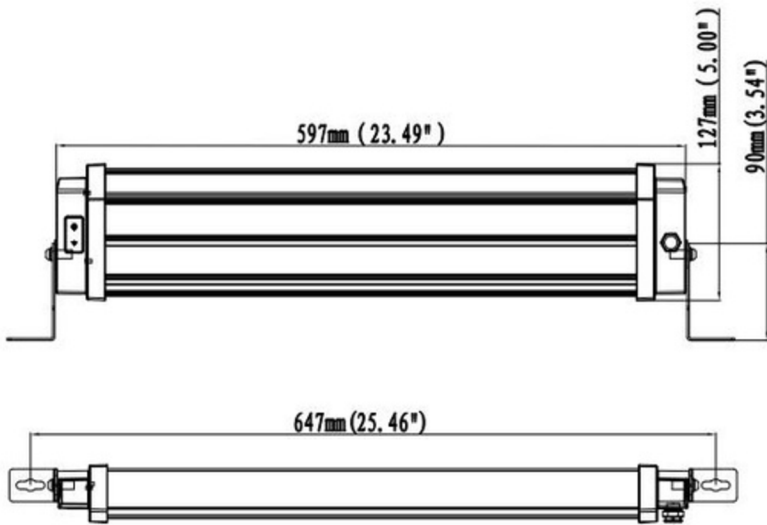
DIMENSIONS



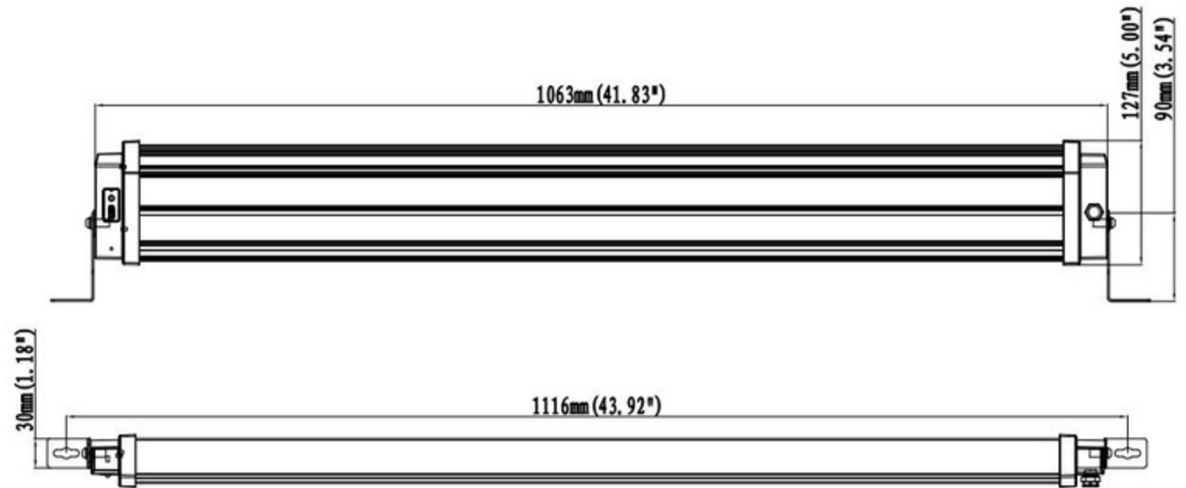
5W



10W



5W



10W